

2-MOTOR TEST STAND
FOR ANGULAR TRANSMISSION UNITS

BLUM
NOVOTEST



2-MOTOR TEST STAND FOR ANGULAR TRANSMISSION UNITS



This test stand is intended for testing angular transmission units and can execute various test programs, such as lifetime testing or high speed testing, in both automatic and manual mode. The components of the test stand are mounted on a machine bed and are used in a 90° arrangement. The following measured variables can be monitored at the specimen: Torque, speed, deflection, oil temperature in the specimen.

Features:

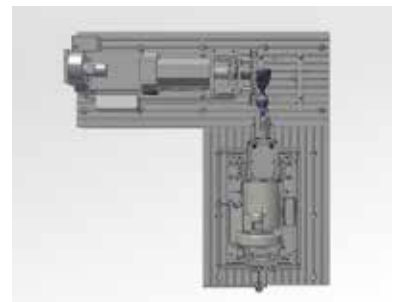
- Machine bed on vibration-insulating machine shoes
- Temperature chamber for the specimen
- 90° arrangement of input/output
- Adjustable output unit

Technical data

Test stand dimensions (machine bed)	approx. 3000 x 2000 x 1400 (LxWxH in mm)
Temperature range	-40 °C to 150 °C
Specimen rigging height	approx. 1100 mm
Drive motor	Speed max. 5000 rpm Output max. 310 KW Torque max. 3700 Nm



Temperature chamber



Total view of the test stand